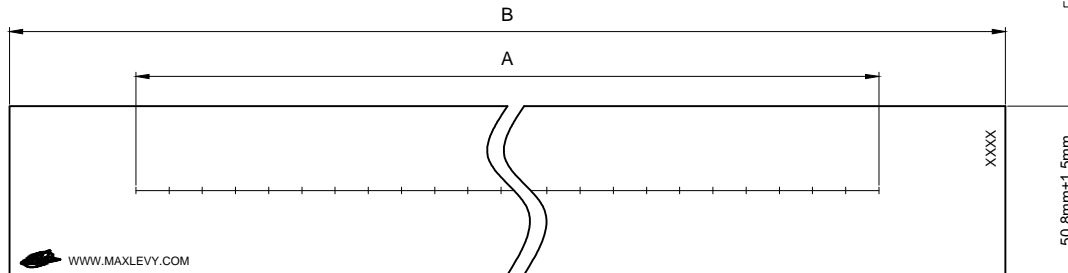
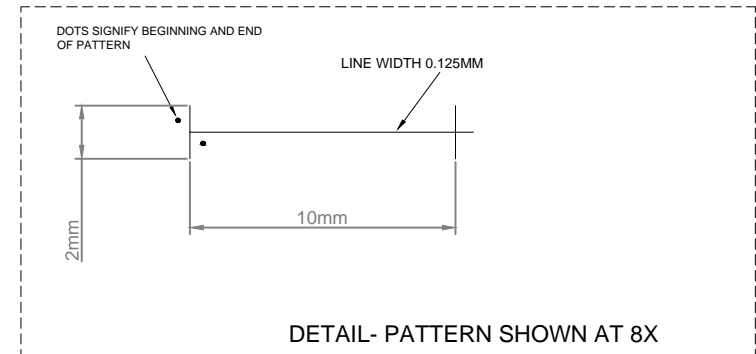


NOTES:

- PATTERN: SOLID HORIZONTAL LINE 0.125MM WIDTH WITH VERTICAL TICKS ON 10MM SPACING CENTERED ON TOP SURFACE OF BLANK, RIGHT READING LOOKING AT
- TOLERANCES:
 LINE WIDTH: 0.125MM ±0.005MM
 POSITIONAL ACCURACY: ±0.003MM UP TO 300MM
 ±0.005MM UP TO 640MM
 ±0.007MM UP TO 1000MM
- COATING: REFLECTIVE CHROMIUM FIRST SURFACE. OPTICAL DENSITY > 3.0.
 COATING DESIGNED TO PROVIDE REFLECTION 50% ±5% @ 550 NM
- MATERIAL:
 SODA LIME GLASS: 6.35MM NOMINAL THICKNESS, PHOTO QUALITY SELECT SODA LIME FLOAT GLASS.
 LOW CTE GLASS: 4.8MM NOMINAL THICKNESS BOROFLOAT CTE 3.25*10⁻⁶ K-1
- FLATNESS: TOP SURFACE OF SODA LIME GLASS TO BE ±0.050MM
- EDGES: BREAK SHARP EDGES. NO VISIBLE EDGE CHIPS > 0.25 MM DIAMETER
- SURFACE QUALITY: SCRATCH: DIG OF 40:20 OVER PATTERN AREA
- GLASS SIZE: BLANK IS 50.8MM WIDE ±1.5MM. GLASS EDGES ARE SAFETY BEVELED

DATE	SYM	REVISION RECORD	AUTH	DR	CK
5/05	A	UPDATED TOLERANCES	RCC		DSM
10/19	D	CHANGE LOW CTE GLASS TO BOROFLOAT	SS		



WWW.MAXLEVY.COM

		SODA LIME GLASS		LOW CTE GLASS	
A	B	DASH NO	STOCK NO	DASH NO	STOCK NO
300MM	369MM	-010	EA039	-022	EA051
640MM	699MM	-011	EA040	-023	EA052
1000MM	1080MM	-012	EA041	-024	EA053

SHEET 4 OF 4					
MAX LEVY AUTOGRAPH					
TOLERANCES (EXCEPT AS NOTED)	MATERIAL		SCALE	DRAWN BY	
DECIMAL .XXX= +/- .005 .XX= +/- .015 .X= +/- .030	SEE NOTES		NONE	KJV	
FRACTIONAL +/- .030	TITLE VISION SYSTEM PRECISION SCALE				
ANGULAR +/- 0.5Deg.	DATE	DRAWING NUMBER			
	6/21/04	300MLA0108-0XX			