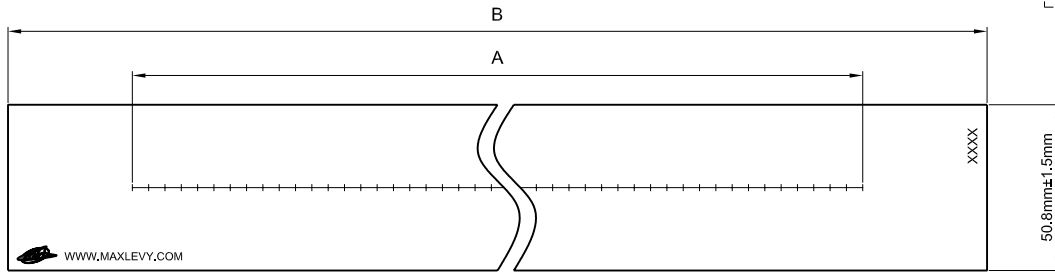
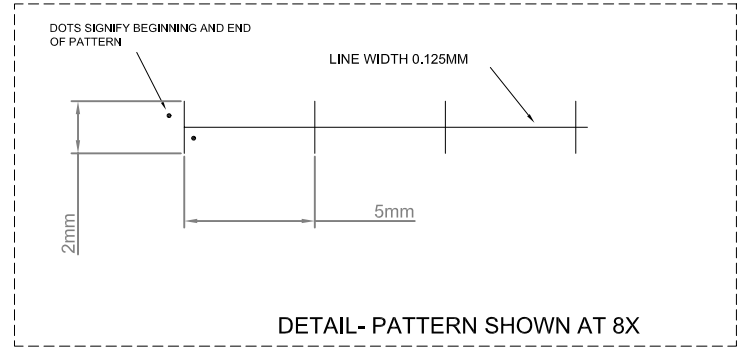


NOTES:

- PATTERN: SOLID HORIZONTAL LINE 0.125MM WIDTH WITH VERTICAL TICKS ON 5MM SPACING CENTERED ON TOP SURFACE OF BLANK, RIGHT READING LOOKING AT
- TOLERANCES:
 LINE WIDTH: 0.125MM ±0.005MM
 POSITIONAL ACCURACY: ±0.003MM UP TO 300MM
 ±0.005MM UP TO 640MM
 ±0.007MM UP TO 1000MM
- COATING: REFLECTIVE CHROMIUM FIRST SURFACE. OPTICAL DENSITY > 3.0.
 COATING DESIGNED TO PROVIDE REFLECTION 50 % ±5% @ 550 NM
- MATERIAL:
 SODA LIME GLASS: 6.35MM NOMINAL THICKNESS, PHOTO QUALITY SELECT SODA LIME FLOAT GLASS.
 LOW CTE GLASS: 4.8MM NOMINAL THICKNESS. CTE 0.02*10-6 K-1
- FLATNESS: TOP SURFACE OF SODA LIME GLASS TO BE ±0.050MM
- EDGES: BREAK SHARP EDGES. NO VISIBLE EDGE CHIPS > 0.25 MM DIAMETER
- SURFACE QUALITY: SCRATCH:DIG OF 40:20 OVER PATTERN AREA
- GLASS SIZE: BLANK IS 50.8MM WIDE ±1.5MM. GLASS EDGES ARE SAFETY BEVELED

DATE	SYM	REVISION RECORD	AUTH	DR	CK
5/05	A	UPDATED TOLERANCES	RCC		DSM



		SODA LIME GLASS		LOW CTE GLASS	
A	B	DASH NO	STOCK NO	DASH NO	STOCK NO
300MM	369MM	-007	EA036	-019	EA048
640MM	699MM	-008	EA037	-020	EA049
1000MM	1080MM	-009	EA038	-021	EA050

SHEET 3 OF 4			
TOLERANCES (EXCEPT AS NOTED)		MAX LEVY AUTOGRAPH	
DECIMAL .XXX= +/-,005 .XX= +/-,015 .X= +/-,030	MATERIAL SEE NOTES	SCALE NONE	DRAWN BY KJV
FRACTIONAL +/-,030	TITLE VISION SYSTEM PRECISION SCALE		
ANGULAR +/-0,5Deg.	DATE 6/21/04	DRAWING NUMBER 300MLA0108-0XX	